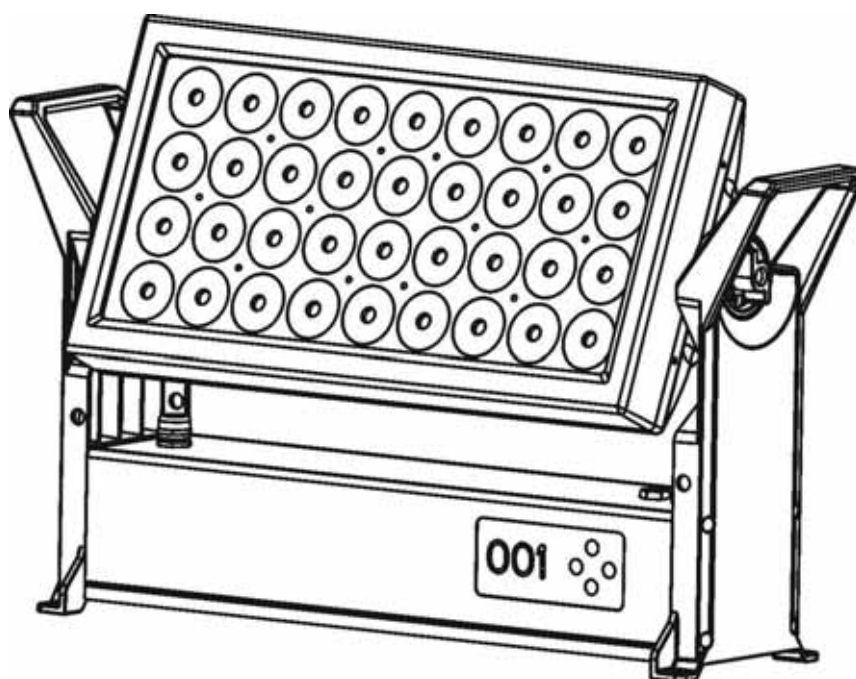


36X12W LED RGBACL Flood Light User Manual

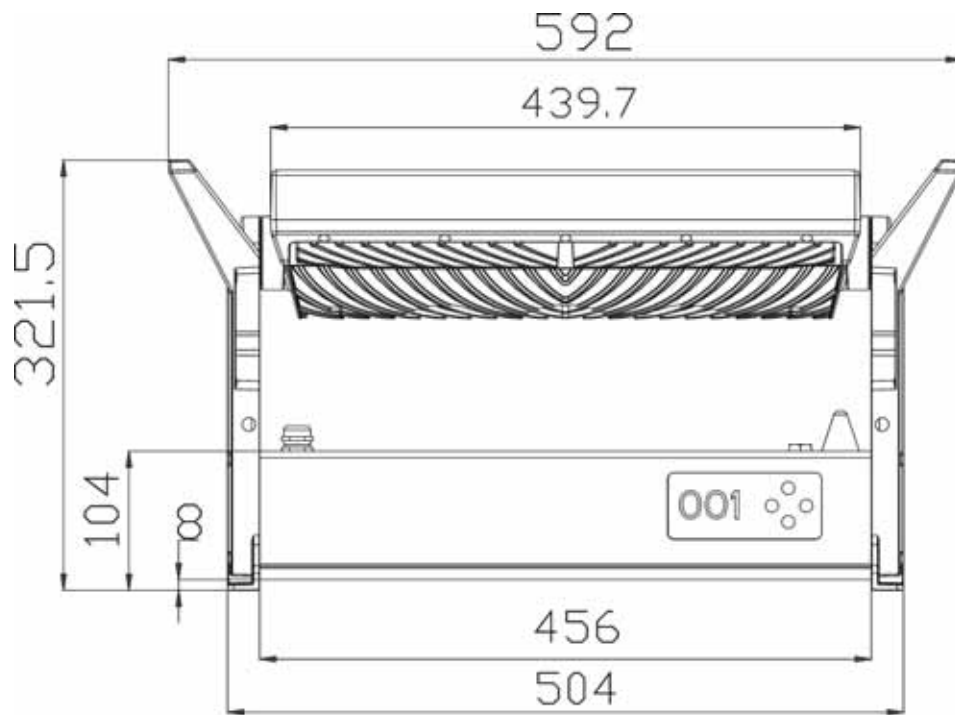


Menu

Dimensions.....	2
Before Using.....	3
What's inside.....	3
Open box instruction.....	3
A C power supply.....	3
Safety Instruction.....	3
Introduction.....	4
Optics.....	4
Colour.....	4
Specification.....	5
Display.....	5
Software.....	5
Other functions.....	6
Power/DMX connection.....	6
Power.....	6
Protection class.....	6
Working environment.....	6
Size and weight.....	6
Certificate.....	6
Product Introduction.....	7
Installation.....	8
Installation requirements.....	8
Power supply connection.....	9
DMX Signal connection.....	9
DMX Address setting.....	10
Operating instruction.....	11
Control board function.....	11
Menu Map.....	12
Menu Instruction.....	13
DMX Channel Table.....	20

Dimensions

All dimensions are in millimeters



Before Using

What's inside

- Equipment x 1
- Power cable with Plug x 1
- User manual x 1
- Iron holder x 2

Open box Instruction



Help preserve the environment! Ensure that this product is recycled at the end of its life. Your supplier can give details of local arrangements for the disposal of products.

Please open the equipment carefully ,and check all the spare parts are included or not.If any part of the cause of the failure due to improper transportation or carton,please keep the packing materials and immediately inform the shipper to check.If the equipment must be returned to the factory,the equipment should be use the original carton and packaging.

AC Power Supply

The equipment power supply is able to adapt to the wide input voltage.Please confirm the input voltage is in the scale of rated voltage 。 The equipment can adapt to100V-240V AC voltage , Frequency50-60HZ。 It can not run a rheostat(variable resistor) or dimmer circuits.

Safety Instruction

This product is I level protection equipment,so it is must be connected well and connected by the professional people.

- Make sure the voltage don't be above or below which the user manual rated values.
- Confirm the power cord is not a sword cut or damaged.
- Must be cut off the power supply in the condition of no using or cleaning.

- Only allowed with the power cord plug connection. Please do not force when unplug the power cord to pull the plug.。
- Be careful in the process of installation of equipment. Avoid touching the bare wire, otherwise it will suffer fatal shocks.。
- Don't look the light source directly, otherwise it will hurts the eyes.
- When choosing installation position of equipment and the equipment must be more than 0.5m distance between objects.
- Please use the equipment wires appropriate.
- Without the manufacturer's authorization or laypeople don't remove, repair and modification of equipment.
- The maximum operating temperature is 40°C, don't operate the equipment when it is over 40°C
- Do not connect the equipment to the dimmer equipment
- Under 120V voltage, output power don't series more than 4 pcs equipment, voltage 230V. Output power don't series more than 8 pcs

Introduction

Optics

- LED : 36x12W RGBAC + Lime LED, uniform and delicate color mixing effect
- Lens: 43mm PMMA lens with high brightness
- Beam angle: 25 ° (optional 10 °, 45 °)
- Life span: 50000H, low power consumption, energy saving and environmental protection

Colour

- Uniform Red、 Green、 Blue、 Amber、 Cyan、 Lime color mixing system
- Color temperature: 3200-10000K
- Explicit indication: CRI≥90
- White balance can be adjusted manually
- Static color setting

Specification

- 5 DMX channel modes: 2CH / 6CH_1 / 6CH_2 / 8CH / 12CH international standard DMX512 channels
- 3 control modes: DMX512, wireless DMX, master-slave
- 2.4G wireless DMX
- Light spot angle: 25 ° (optional 10 °, 45 °)
- DMX function: dimming, strobe, RGBACL, macro color, color jump, color gradation, rainbow, auto running program selection, auto running speed, dimming curve selection, function setting
- Stand-alone mode: color jump, color gradient, auto-run, slave, macro color, static color setting, rainbow, auto-run program selection
- Strobe effect: 0-20HZ strobe, pulse strobe, ramp-up strobe, ramp-down strobe, random strobe, 5 to 1 second gap strobe effect. Strobe effect :Puls Random、Ramp up Random、Ramp down Random、Random strobe、Strobe Breakeffect, 5s.....1s、Strobe0-20Hz
- Dimming: 0-100% 16bit dimming, which can control the light and dark changes of 6 colors and light off at the same time
- Dimmer mode: 2 kinds.(LED and Halogen)

Display

- 2.4-inch TFT color display
- High anti-interference four-button touch button
- Key lock can be set to prevent misoperation
- The display board can be reversed by 180 °, which is suitable for installation in unreasonable positions.

Software

- Software update :Update via DMX link
- Display the lamp usage time, which is convenient for customers to understand the lamp usage in time
- LED refresh frequency: 800Hz / 1200/2000/3600 / 25000hz optional
- 4 kinds of dimming curve:Linear Dimmer、Square Dimmer、.Square Dimmer、 S-Curve Dimmer

Other functions

- Setting and addressing: RDM
- LED temperature detection system to protect the life of lamp beads
- Fan cooling (fan changes speed with temperature change)
- Fan mode: automatic and high-speed mode switching
- A diffuser plate can be added on the surface of the lamp to change the angle.
The diffuser plate is attracted by magnets.

Power / DMX connection

- Power connection: Waterproof power socket Seetronic powerCON IN (SAC3MPX) / OUT (SAC3FPX)
- DMX input: Waterproof DMX card dragon seat 3-pin Seetronic J3F2C-W
- DMX output: Waterproof DMX card dragon seat 3-pin Seetronic K3F2C-W

Power

- AC100-240V 50 / 60HZ
- Power consumption: 380W

Protection class

- Housing material: die-cast aluminum
- Waterproof level: IP65

Working environment

- Indoor working temperature: $-20^{\circ}\text{C} \sim +40^{\circ}\text{C}$

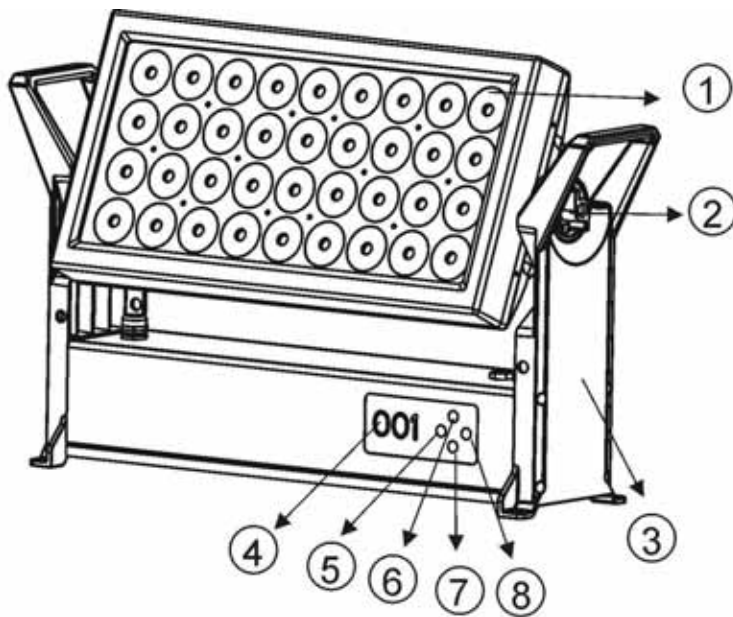
Size and weight

- Packing size: 660 * 280 * 455mm
- Net weight: 15KG
- Gross weight: 17.2KG

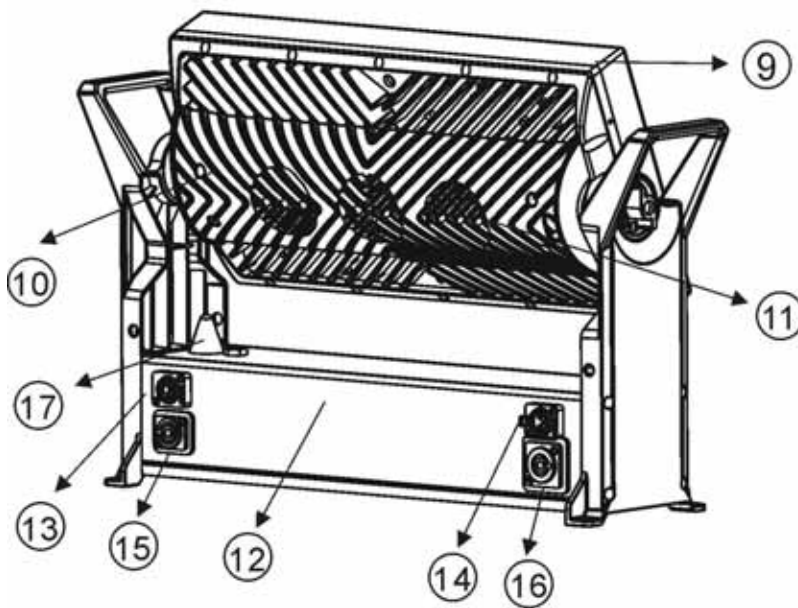
Certificate:

CE, ROHS

Product Introduction



- ① Lens
- ② Rotary knob
- ③ Main holder
- ④ LCD display
- ⑤ MENU
- ⑥ UP
- ⑦ DOWN
- ⑧ ENTER

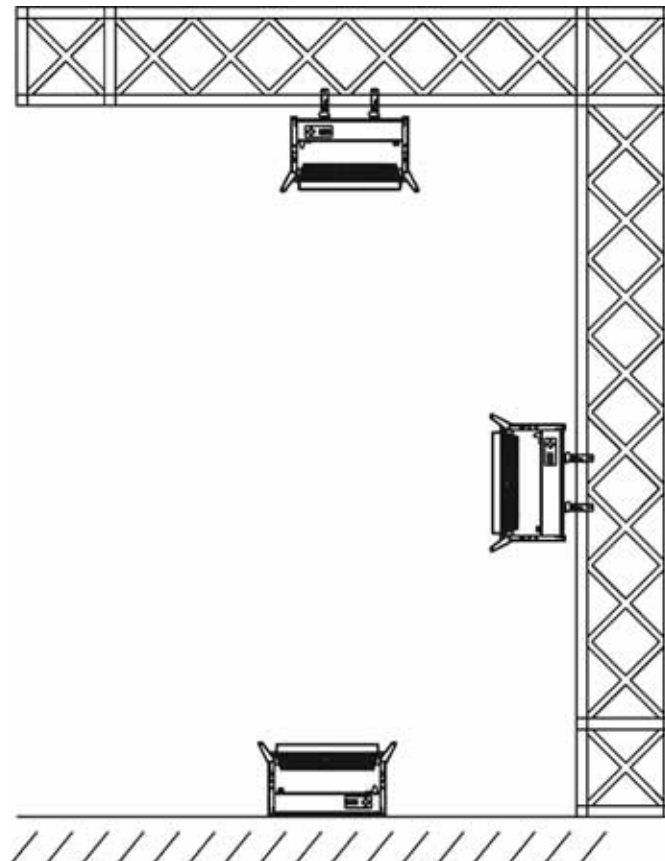


- ⑨ Top cover
- ⑩ Cooling fin
- ⑪ Fan
- ⑫ Base housing
- ⑬ DMX IN
- ⑭ DMX OUT
- ⑮ Power IN
- ⑯ Power OUT
- ⑰ Wireless

Installation


Installation Requirements

- This equipment can be used in many places, it can hang and put on the ground.
- Choosing a suitable place to put or hang the equipment when installation. Must be use the special screws and hook to make sure the lamp's weight is in the weight range.
- When installing the equipment, ensure no inflammable and explosive goods at 0.5 meter distance.
- Please ask the professionals to install the equipment, any improper installation will cause personal injury or material damage.
- To prevent others entering the working areas below, the installation or maintenance of equipment with suitable and stable platform
- The equipment must be placed in ventilated place, at least 50 cm from the ground, please ensure that the vent without clogging.



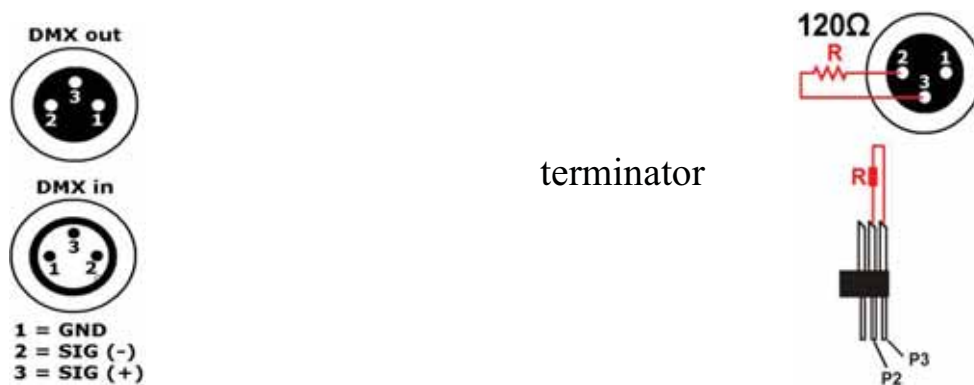
Power supply connection

The equipment can be used in the wide voltage input. Please make sure the voltage is the scale of rated voltage when connecting the power. The equipment can adapt to 100V to 240 V AC voltage and 50-60 Hz.

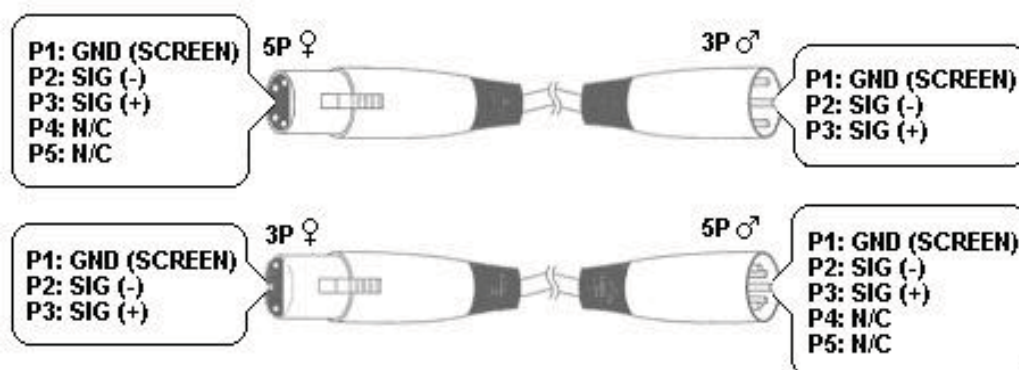
Core (EU)	Core (US)	Connection	Plug Terminal Marking
Brown	Black	Live	L
Light blue	White	Neutral	N
Yellow/Green	Green	Earth	

DMX Signal Connection

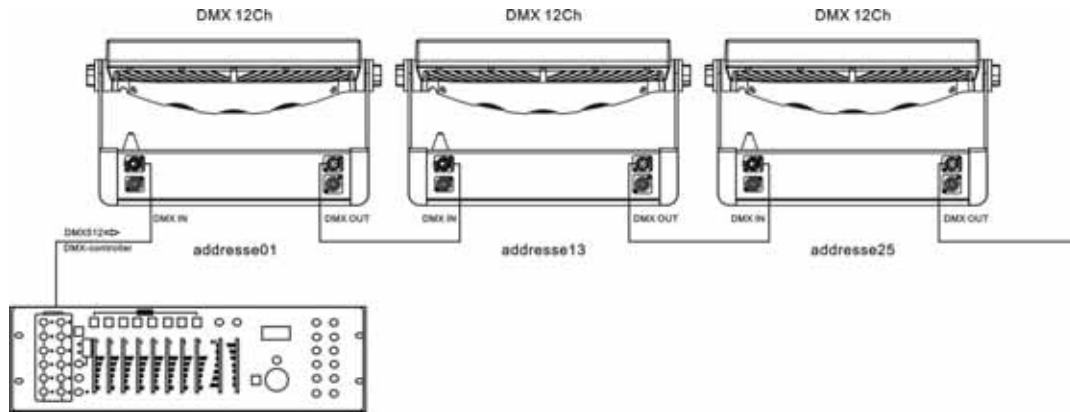
1. Use DMX512 controller, use the DMX signal (male) to plug into the first light(female) 3 pin.
2. Put out of the equipment of the first signal wire(head),connected to the equipment of the next 3 pin plug(female),so on.See belowed pictures.



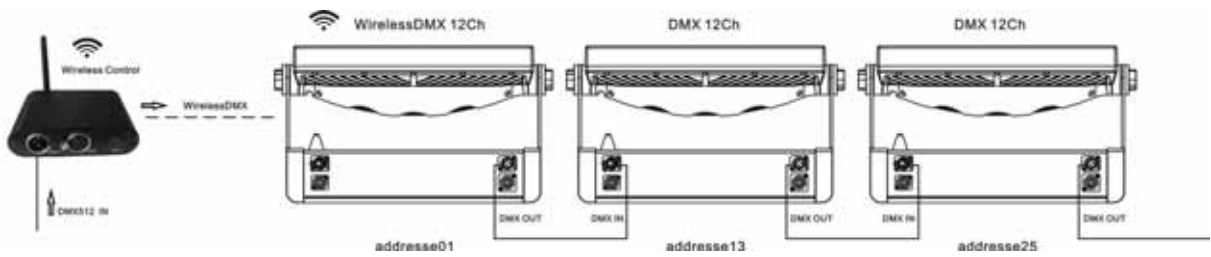
How to turn the controller line from 3-pins into 5-pins (plug and socket).



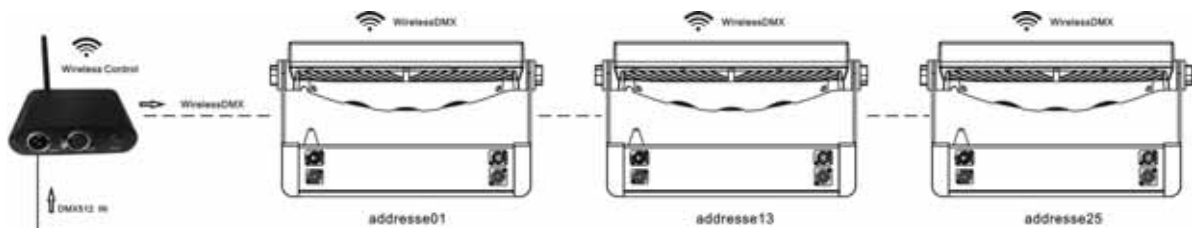
3. DMX to DMX:



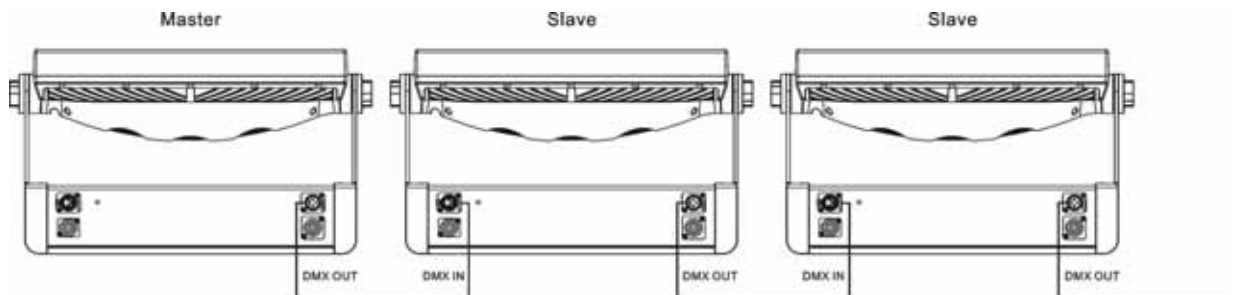
4: Wireless to DMX



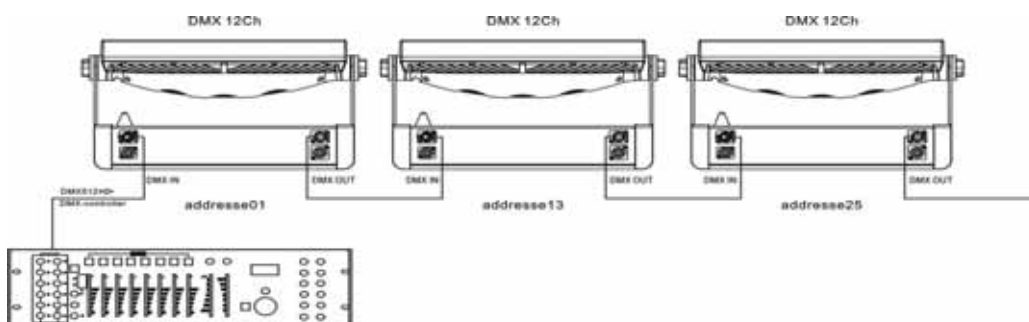
5: Wireless Control



6: Master/Slave



DMX Address setting



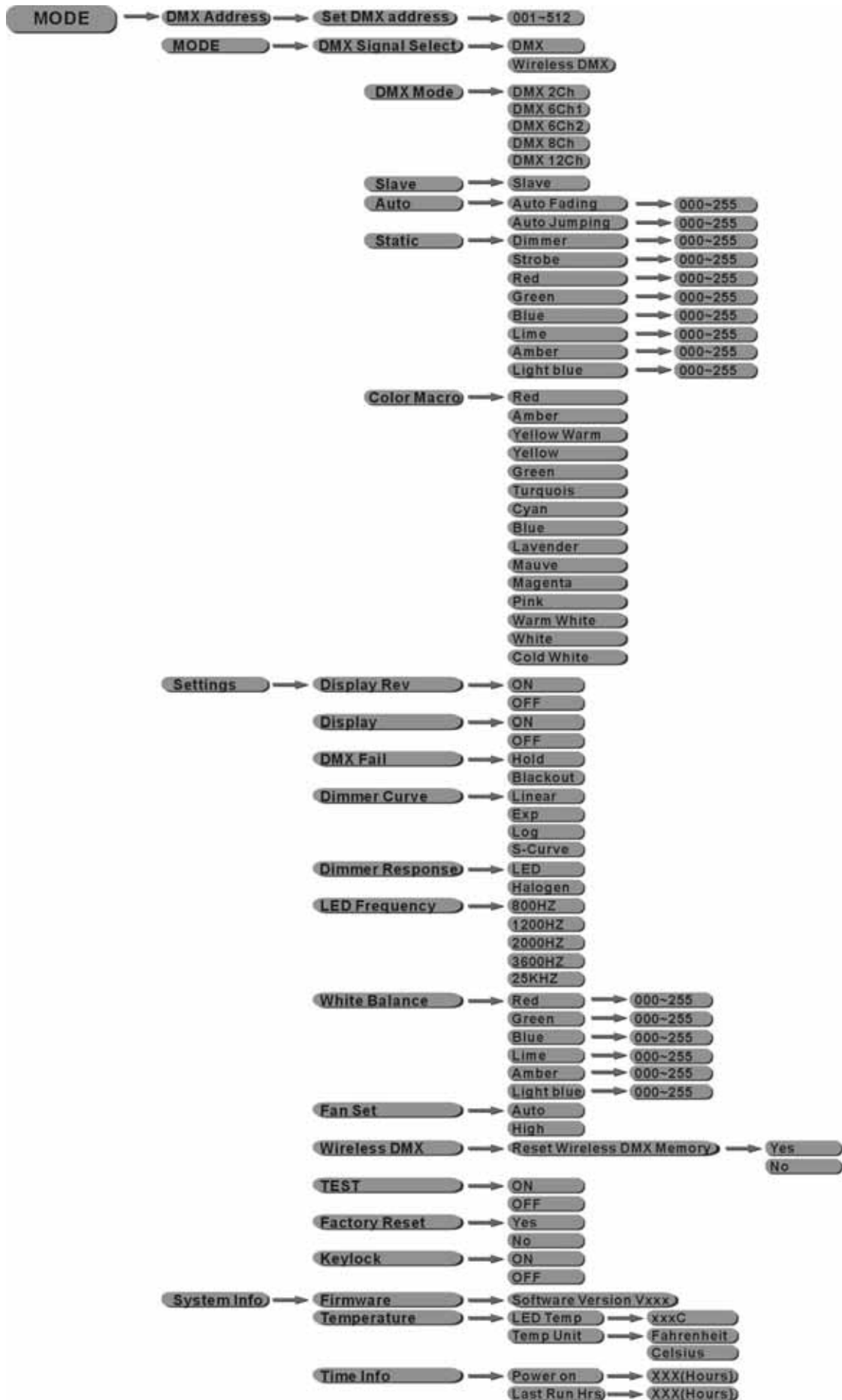
Operating Instruction

Control board function

Button	Function
Mode	Choose mode or function exit
ENTER	Current show menu or enter into the current selected function
UP	Increase the value
DOWN	Decrease the value

- When the spotlight is properly connected to the mains, “Software Update ,Please Wait” (only for internal purposes), “Welcome to LED Wash”, the model name and software version appear successively on the display during the start-up process. After this operation, the spotlight is ready for use and starts in the mode that was previously selected.
- If one of the DMX operating modes is activated and there is no DMX signal at the DMX input, the display starts to flash after a few seconds.
- After approximately 30 seconds of inactivity, the display will automatically show the currently active operating mode.
- Fast Access Feature: In order to simplify the menu guide, the device has an intelligent menu structure which allows menu and sub-menu items that were last selected to be accessed directly. 1. Pressing MODE and ENTER simultaneously will take you directly to the sub-menu item that was last edited and allows you to instantly change the corresponding value as desired (DMX start address and all operating modes). 2. Pressing MODE will take you directly to the menu item that was last selected and edited; now press ENTER to instantly access the sub-menu item that was selected and edited last (DMX start address and all operating modes).

Menu Map



Menu Instruction:

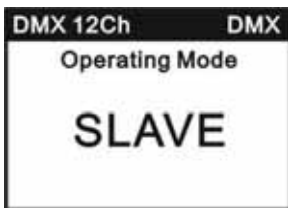
MAIN DISPLAY DMX MODE

In the upper line of the display,the DMX (DMX 2Ch,6Ch1,6Ch2,8Ch,12Ch)is display and the DMX start address is prominently shown in the centre(for example DMX12Ch and ADDRESS 001).As soon as the DMX signal is interrupted,the display starts flashing; if the DMX signal is present again,the display stops flashing.



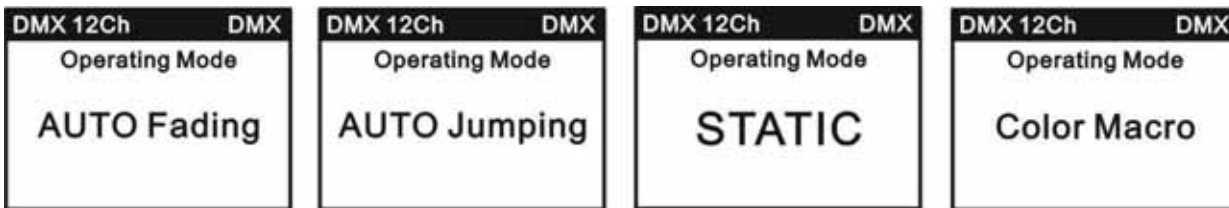
MAIN DISPLAY SLAVE MODE

In the upper line the display,the preset DMX is displayed and “SALVE” is prominently shown in the center. As soon as the control signal is interrupted, the display starts flashing;if the control signal is present again, the display stops flashing.



MAIN DISPLAY STANDALONE MODE

In the upper line of display,the preset DMX mode is displayed and the currently activated Auto mode, static mode STATIC,or colour macro mode COLOUR MACRO.



SETTING THE DMX START ADDRESS(ADDRESS)

Pressing MODE will take you the selection menu for system setting.Using UP and DOWN,select the menu item“ADDRESS”(colored background)and confirm with ENTER.This is followed by the display of the menu item “Set DMX Address” .Press ENTER again to select the DMX start address as desired button using the UP and DOWM button. If the start address is changed,the address color changes to red. Confirm with ENTER and Press MODE twice to return to the main display.The main display is automatically activated if no input is made within about 30 seconds.

DMX 12Ch	DMX
DMX Address	001
MODE	Yes
Settings	
System Info	

DMX 12Ch	DMX
Set DMX Address	001

DMX 12Ch	DMX
Set DMX Address	
^	
001	
v	

SETTING THE DMX SIGNAL SELECT(DMX SIGNAL SELECT)

Pressing MODE will take you to the selection menu for system settings. Using UP and DOWN,select the menu item “MODE” (colored background) and confirm with ENTER. Now use the UP and DOWN buttons once more to select the “DMX SIGNAL SELECT” sub-menu item and confirm button pressing ENTER. Using UP and DOWN, select the desired DMX mode(DMX,Wireless DMX)and confirm with ENTER. Press MODE twice to return to the main display. the main display is automatically activated if no input id made within about 30 seconds. You will find tables with the channels of the different DMX Signal in this manual under DMX SIGNAL CONTROL.

DMX 12Ch	DMX
DMX Address	001
MODE	Yes
Settings	
System Info	

DMX 12Ch	DMX
DMX Signal Select	
DMX Mode	DMX 12Ch
Slave	
Auto	
Static	
Color Macro	

DMX 12Ch	DMX
DMX	Yes
Wireless DMX	

DMX 12Ch	Wireless DMX
DMX	
Wireless DMX	Yes

SETTING THE DMX MODE(DMX MODE)

Pressing MODE will take you to the selection menu for system settings. Using UP and DOWN, select the menu item “MODE” (colored background) and confirm with ENTER.Now use the UP and DOWN buttons once more to select the “DMX MODE” sub-menu item and confirm button pressing ENTER.Using UP and DOWN,select the desired DMX mode(DMX 2Ch,DMX 6Ch1,DMX 6Ch2,DMX 8Ch,DMX 12Ch)and confirm with ENTER.Press MODE twice to return to the main display.the main display is automatically activated if no input id made within about 30 seconds.You will find tables with the channels of the different DMX modes in this manual under DMX CONTROL.

DMX 12Ch	DMX
DMX Address	001
MODE	Yes
Settings	
System Info	

DMX 12Ch	DMX
DMX Signal Select	
DMX Mode	Yes
Slave	
Auto	
Static	
Color Macro	

DMX 12Ch	DMX
DMX 2Ch	
DMX 6Ch1	
DMX 6Ch2	
DMX 8Ch	
DMX 12Ch	Yes

SETTING THE SLAVE MODE(Slave)

Pressing MODE will take you to the selection menu for system settings. Using UP and DOWN, select the menu item “MODE” (colored background) and confirm with ENTER. Now use the UP and DOWN buttons once more to select the “DMX MODE” sub-menu item and confirm button pressing ENTER and press MODE twice to return to the main display. The main display is automatically activated if no id made within about 30 seconds, Connect the slave and the master unit (same model) with a DMX cable and activate one of the standalone modes (Auto, Static, Color Macro) on the master unit. Now the slave unit follows the master unit.

DMX 12Ch	DMX
DMX Address	001
MODE	Yes
Settings	
System Info	

DMX 12Ch	DMX
DMX Signal Select	
DMX Mode	
Slave	Yes
Auto	
Static	
Color Macro	

SETTING THE AUTOMATIC CONTROL MODE(Auto)

Pressing MODE will take you to the selection menu for system settings. Using UP and DOWN, select the menu item “MODE” (colored background) and confirm with ENTER. Now use the UP and DOWN buttons once more to select the “Auto” sub-menu item and confirm button pressing ENTER. Using UP and DOWN, you can now select between Auto additional sub-menu items “Auto Fading” and “Auto Jumping”. Select “Auto Fading”, Press ENTER again to select the auto fading speed (000-255) as desired button using the UP and DOWN button. If set the “Auto Jumping”, Press ENTER again to select the auto jumping speed (000-255) as desired button using the UP and DOWN buttons.

DMX 12Ch	DMX
DMX Address	001
MODE	Yes
Settings	
System Info	

DMX 12Ch	DMX
DMX Signal Select	
DMX Mode	
Slave	
Auto	
Static	
Color Macro	

DMX 12Ch	DMX
Auto Fading	
Auto Jumping	

DMX 12Ch	DMX
Auto Fading	
000	

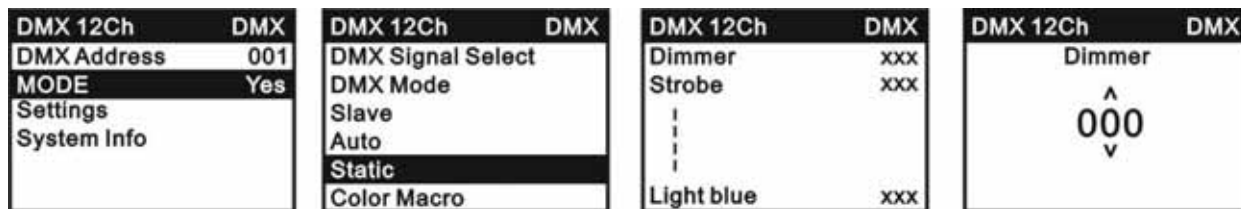
DMX 12Ch	DMX
Auto Fading	
Auto Jumping	

DMX 12Ch	DMX
Auto Jumping	
000	

STATIC MODE(Static)

In the same way as with a DMX control unit, the static mode allows you adjust an functions such as Dimmer, Red, Green, Blue, Amber, Cyan, Lime and Strobe directly on the device with values from 000 to 255. Thus, an individual scene can be created without an additional DMX controller, pressing MODE will take you to the selection menu for system settings. Using UP and Down, select the menu item “Static” (colored background) and confirm with ENTER, Use the UP and DOWN buttons to select the

function of the LED Wash that you wish to edit and confirm button pressing ENTER. The value (dimmer, Red, Green, Blue, Amber, etc., see list) of the corresponding function can now be set from 000-255 and press ENTER to confirm the input. Once all of the parameters have been set as desired, press MODE three to the main display. The main display is automatically activated if no input made within 30 seconds.



STATIC				
Dimmer	000	-	255	0% to 100%
Strobe	000	-	005	Strobe open
	006		010	Strobe closed
	011	-	033	Plus Random, slow->fast
	034	-	056	Ramp up Random, slow -> fast
	057-	-	0796	Ramp down Random, slow -> fast
	080	-	102	Random Strobe Effect, slow -> fast
	103	-	127	Strobe Break Effect, 5s.....1s (Short burst with break)
	128	-	250	Strobe slow -> fast <1Hz - 20Hz
	251	-	255	Strobe open
Red	000	-	255	0% to 100%
Green	000	-	255	0% to 100%
Blue	000	-	255	0% to 100%
Lime	000	-	255	0% to 100%
Amber	000	-	255	0% to 100%
Light blue	000	-	255	0% to 100%

SETTING THE COLOR MACRO MODE(Color Macro)

Pressing MODE will take you to the selection menu for system settings. Using UP and DOWN, select the menu item "MODE" (colored background) and confirm with ENTER. Now use the UP and DOWN buttons once more to select the "Color Macro" sub-menu item and confirm button pressing ENTER, Using UP and DOWN, you can now select 15 different color macros are available as presets: "Red", "Amber",

“Yellow Warm” , “Yellow” , “Green” , “Turquoise” , “Cyan” , “Blue” , “Lavender” , “Mauve” , “Magenta” , “Pink” , “Warm White” , “White” and “Cold White” ,Press ENTER and exit. press MODE three to the main display. The main display is automatically activated if no input made within 30 seconds.

DMX 12Ch	DMX
DMX Address	001
MODE	Yes
Settings	
System Info	

DMX 12Ch	DMX
DMX Signal Select	
DMX Mode	
Slave	
Auto	
Static	
Color Macro	

DMX 12Ch	DMX
Red	Yes
Amber	
:	
:	
:	
Cold White	

DEVICE SETTINGS(Setting)

Pressing MODE will take you to the selection menu for system settings. Using UP and DOWN, select the menu item “ Setting ” (colored background) and confirm with ENTER. You will then be taken to the sub-menu to set the sub-menu items(set list).The main display is automatically activated if no input is made within about 30 seconds.

DMX 12Ch	DMX
DMX Address	001
MODE	Yes
Settings	
System Info	

DMX 12Ch	DMX
Display Rev	xxx
Display	xxx
:	
:	
Keylock	xxx

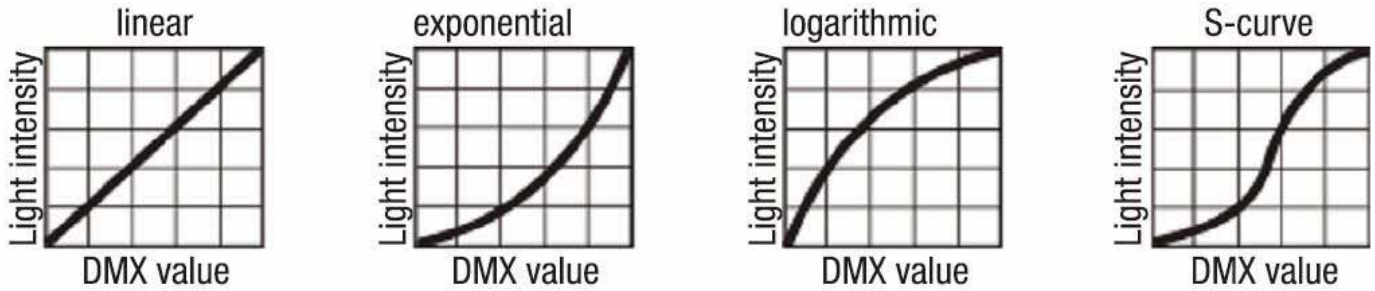
DMX 12Ch	DMX
ON	Yes
OFF	

setting				
Display Rev	=	Flip Display	ON	=Rotation of the display by 180° (e.g.over head installation)
			OFF	=no rotation of the display
Display	=	Display lighting	ON	=permanently on
			OFF	=deactivation after approx.1 minutes of inactivity
DMX Fail	=	Operation status with DMX signal interruption	Hold	=last command is held
			Blackout	=activates Blackout
Dimmer Curve	=	Dimmer Curve	Linear	=The light intensity increases linearly with the DMX value
			Exp	=Adjustment of the light intensity is finer in the lower DMX value range and coarser in the upper DMX value range
			Log	=Adjustment of the light intensity is coarser in the lower DMX value

				range and finer in the upper DMX value range
			S Curve	=Adjustment of the light intensity is finer in the lower and upper DMX value ranges and coarser in the middle DMX value range
Dimmer Response	=	Dimmer response	LED	=The spotlight responds abruptly to changes in the DMX value
			Halogen	=The spot behaves in a manner similar to that of a halogen lamp with gentle changes in brightness
LED Frequency	=	LED PWM frequency	800Hz/1 200Hz/2 000Hz/3 600Hz/2 5KHZ	Setting the LED PWM frequency
White Balance	=	White balance	Red,Green,Blue,Amber,Light,Blue,Cyan	=Individual white balance. Cross-operating mode setting of the 6 RGBAL+Light blue LED groups
Fan Set	=	Fan speed	Auto	=According to the LED temperature to control the fan speed
			High	=The fan at high speed
Wireless DMX	=	Reset Wireless DMX Memory	No	=do not reset wireless DMX
			Yes	= Reset Wireless DMX Memory
Test	=	Function test	ALL	=Test all functions
Factory Reset	=	Reset to factory set	OFF	=do not perform reset
			ON	= Reset to factory setting
Key lock	=	The key lock switch	OFF	=Key lock closure
			ON	= Key lock closure, As the key lock opens, display screen backlight 30 seconds out, button is locked, need

			operation buttons, first to ENTER a password to unlock, ENTER the password to operation display panel buttons UP, DOWN, UP, DOWN, press ENTER to unlock,
--	--	--	----------------------------------------------------------------------------------------------------------------------------------------------------------

DIMMER CURVES



DEVICE INFORMATION(System Info)

Pressing MODE will take you to the selection menu for system settings. Using UP and DOWN, select the menu item “System Info” (colored background) and confirm with ENTER. You will then be taken to the sub-menu to display the device information. Use the UP and DOWN panels again to select the desired sub-menu item and then press ENTER to retrieve the information.

DMX 12Ch DMX DMX Address 001 MODE Yes Settings System Info	DMX 12Ch DMX Firmware xxx Temperature Time Info	DMX 12Ch DMX Software Version XXX	
DMX 12Ch DMX DMX Address 001 MODE Yes Settings System Info	DMX 12Ch DMX Firmware xxx Temperature Time Info	DMX 12Ch DMX LED Temp Temp Unit	DMX 12Ch DMX LED Temp xxx°C
		DMX 12Ch DMX LED Temp Temp Unit	DMX 12Ch DMX Fahrenheit Yes Celsius
	DMX 12Ch DMX Firmware xxx Temperature Time Info	DMX 12Ch DMX Power on Last Run Hrs	DMX 12Ch DMX Power on xxx(Hours)
		DMX 14Ch DMX Power on Last Run Hrs	DMX 14Ch DMX Last Run Hrs xxx(Hours)

System Info				
Software Ver	=	Display the device software version		VR.xx
Temp info	=	Temperature display of the LED unit	LED Temp	XxC/xxF
			Temp Unit	Celsius(=display in degrees Celsius)
				Fahrenheit(=display in degrees Fahrenheit)
Time info	=	Operating time display	Power on	Displays the total operating time in hours
			Last run hrs	Displays the operating time since the last operation

Press the MODE button repeatedly to return to the main display. The main display is automatically activated if no input within about 30 seconds.

DMX Channel Table

2Ch mode						
Ch.	Function	Values				Sub-group
1	Dimmer	000	-	255	0%-100%	Dimmer
2	Colour Macro (override RGB)	000	-	005	Color OFF	Colour Macro
		006	-	013	Red	
		014	-	021	Amber	
		022	-	029	Yellow Amber	
		030	-	037	Yellow	
		038	-	045	Green	
		046	-	053	Turquoise	
		054	-	061	Cyan	
		062	-	069	Blue	
		070	-	077	Lavender	
		078	-	085	Mauve	
		086	-	093	Magenta	
094	-	101	Pink			

		102	-	109	Warm White	
		110	-	117	White	
		118	-	125	Cold White	
		126	-	127	Colour jumping stop	
		128	-	191	Colour jumping Speed slow->fast/Colour1->12	
		192	-	255	Colour fading Speed slow->fast/Colour1->12	

6Ch mode1						
Ch.	Function	Values				Sub-group
1	Red	000	-	255	Red 0%-100%	Red
2	Green	000	-	255	Green 0%-100%	Green
3	Blue	000	-	255	Blue 0%-100%	Blue
4	Lime	000	-	255	Lime 0%-100%	Lime
5	Amber	000	-	255	Amber 0%-100%	Amber
6	Cyan	000	-	255	Light blue 0%-100%	Light blue

6Ch mode2						
Ch.	Function	Values				Sub-group
1	Dimmer	000	-	255	0%-100%	Dimmer
2	Strobe	000	-	005	Strobe open	Strobe
		006	-	010	Strobe colsed	
		011	-	250	Strobe slow -> fast <1Hz - 20Hz	
		251	-	255	Strobe open	
3	Colour Macro (override RGB)	000	-	005	Color OFF	Colour Macro
		006	-	013	Red	
		014	-	021	Amber	
		022	-	029	Yellow Amber	
		030	-	037	Yellow	
		038	-	045	Green	
		046	-	053	Turquoise	
		054	-	061	Cyan	

		062	-	069	Blue	
		070	-	077	Lavender	
		078	-	085	Mauve	
		086	-	093	Magenta	
		094	-	101	Pink	
		102	-	109	Warm White	
		110	-	117	White	
		118		125	Cold White	
		126		127	Colour jumping stop	
		128		191	Colour jumping Speed slow->fast/Colour1->12	
		192		255	Colour fading Speed slow->fast/Colour1->12	
4	Lime	000	-	255	Lime(add to colour macro) 0%-100%	Lime master dimmer
5	Amber	000	-	255	Amber(add to colour macro) 0%-100%	Amber master dimmer
6	Cyan	000	-	255	Light blue(add to colour macro) 0%-100%	Cyan master dimmer

8Ch mode						
Ch.	Function	Values				Sub-group
1	Dimmer	000	-	255	Dimmer 0%-100%	Dimmer
2	Strobe functions	000	-	005	Strobe open	Multifunctional -strobe
		006	-	010	Strobe closed	
		011	-	033	Plus Random, slow->fast	
		034	-	056	Ramp up Random, slow -> fast	
		057	-	079	Ramp down Random, slow -> fast	
		080	-	102	Random Strobe Effect, slow -> fast	
		103	-	127	Strobe Break Effect, 5s.....1s (Short burst with break)	
		128	-	250	Strobe slow -> fast <1Hz - 20Hz	
		251	-	255	Strobe open	

3	Red	000	-	255	Red 0%-100%	Red
4	Green	000	-	255	Green 0%-100%	Green
5	Blue	000	-	255	Blue 0%-100%	Blue
6	Lime	000	-	255	Lime 0%-100%	Lime
7	Amber	000	-	255	Amber 0%-100%	Amber
8	Cyan	000	-	255	Light blue 0%-100%	Cyan

12Ch mode						
Ch.	Function	Values				Sub-group
1	Dimmer	000	-	255	Dimmer 0%-100%	Dimmer
2	Strobe functions	000	-	005	Strobe open	Multifunctional -strobe
		006	-	010	Strobe closed	
		011	-	033	Plus Random, slow->fast	
		034	-	056	Ramp up Random, slow -> fast	
		057	-	079	Ramp down Random, slow -> fast	
		080	-	102	Random Strobe Effect, slow -> fast	
		103	-	127	Strobe Break Effect, 5s.....1s (Short burst with break)	
		128	-	250	Strobe slow -> fast <1Hz - 20Hz	
3	Red	000	-	255	Red (Override form Colour macro) 0%-100%	Red dimmer
4	Green	000	-	255	Green (Override form Colour macro) 0%-100%	Green dimmer
5	Blue	000	-	255	Blue (Override form Colour macro) 0%-100%	Blue dimmer
6	Lime	000	-	255	Lime(add to colour macro) 0%-100%	Lime dimmer
7	Amber	000	-	255	Amber(add to colour macro) 0%-100%	Amber dimmer
8	Cyan	000	-	255	Light blue(add to colour macro) 0%-100%	Cyan dimmer
9	Colour Macro (override RGB)	000	-	005	Color OFF	Colour Macro
		006	-	013	Red	
		014	-	021	Amber	
		022	-	029	Yellow Amber	
		030	-	037	Yellow	

		038	-	045	Green	
		046	-	053	Turquoise	
		054	-	061	Cyan	
		062	-	069	Blue	
		070	-	077	Lavender	
		078	-	085	Mauve	
		086	-	093	Magenta	
		094	-	101	Pink	
		102	-	109	Warm White	
		110	-	117	White	
		118	-	125	Cold White	
		126	-	127	Colour jumping stop	
		128	-	191	Colour jumping Speed slow->fast/Colour1->12	
		192	-	255	Colour fading Speed slow->fast/Colour1->12	
10	Colour Temperature	000	-	015	Colour OFF	Colour Temperature
		016	-	045	3200K	
		046	-	075	4200K	
		076	-	105	5600K	
		106	-	135	6500K	
		136	-	165	7200K	
		166	-	195	8000K	
		196	-	225	9000K	
		226	-	255	10000K	
11	Dimmer curve	000	-	005	no function	Set dimmer curve
		006	-	063	Linear Dimmer Curve	
		064		127	Exponential Dimmer Curve	
		128		191	Logarithmic Dimmer Curve	
		192		255	S-Curve Dimmer Curve	
12	Device settings	000	-	005	no function	Device settings
		006	-	063	Dimmer Response LED (Hold 3s)	
		064		127	Dimmer Response LED (Hold 3s)	

		128		191	Setting Fan Regular (Hold 3s)	
		192		255	Setting Fan Silent (Hold 3s)	